

Designer Color-Match Skirt Installation Instructions (Corner Unit Curved Skirt/Neo-Angle)

PLEASE READ INSTRUCTIONS BEFORE PROCEEDING WITH INSTALLATION

NOTE: The skirt or end-panel may require re-sizing to fit the specific installation, i.e., each installation will be different. Re-sizing skirt directions are as follows:

1. Measure Skirt.
2. Place a strip of duct tape onto the skirt at the point you will be cutting to re-size the skirt. This will help reduce cracking of the acrylic skirt. Mark the required dimension (required size) directly onto tape.
3. Cut to within 1/4" of the dimension (required size) using a fine toothed saw.
4. Remove Duct Tape.
5. Belt sand the remaining 1/4" to meet the required size.

The acrylic skirt could be damaged if improper procedures and/or tools are used. It is important to follow all the steps in this installation procedure. If additional guidance is required, you may contact the Aquatic Customer Service department at 1-800-928-3707.

PARTS INCLUDED FOR INSTALLATION:

- 1 Tri-Angle or Curved Color-Match Skirt
 - 1 Tri-Angle or Curved Color-Match Kick Plate
 - 7 Bath Shell Clips
 - 4 ea. #8, 2 1/4" Screws
 - 14 ea. #6 1/2" Stainless steel screws and 2 decorative washers
 - 4 ea. #8, 3/4" stainless steel screws and washers
 - Instruction Sheet
- (If any of the above are missing from your package, please contact your dealer.)

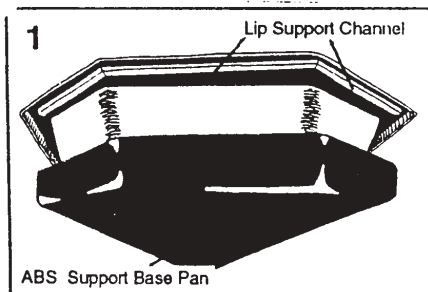
TOOLS REQUIRED FOR INSTALLATION:

(NOT INCLUDED)

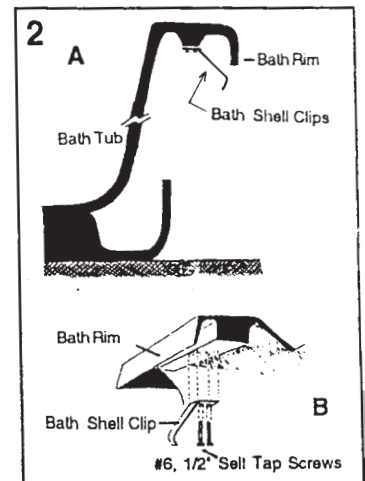
- Phillips head screwdriver, Pencil, Tape Measure, Level
- 2" x 2" x 12" wood braces secured to wall or frame side for anchoring skirt. (Placement shown below.)
- Temporary wood shims may be necessary to support skirt during installation.
- Appropriate length screws to secure wood braces at walls or frame.
- Drill and appropriate bits.
- Belt Sander for shaping skirt to tub dimensions

INSTALLING THE BATH SHELL CLIPS

1. Locate the lip support channel beneath the lip of the bath tub as shown in **Figure 1**. **Note:** Some models do not have the lip support channel running the full length of the tub. These tubs will need to have blocks of wood glued to the underside of the tub so that the shell clip can be attached.



2. Place the bath shell clips at even intervals along the lip support channel. Position the front of the clip so that it touches the back of the bath rim as shown in **Figure 2A**. With a pencil, mark the hole opening for the screw. Place a #6, 1/2" screw at the marked position. Secure each clip to the channel using two self tap #6 screws as shown in **Figure 2B**.

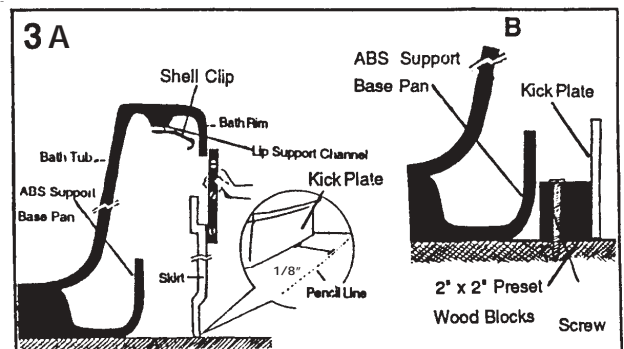


INSTALLING THE KICK PLATE

1. Set the skirt on the floor under the bath rim. With a level, align the vertical face of the skirt with the vertical edge of the bath rim. (See **Figure 3**).

2. With a pencil, mark a line on the floor following the face of the bottom edge of the skirt. Remove the skirt and set the kick plate 1/8" behind the line you've just drawn as shown in **Figure 3A**.

3. Drill holes in the pre-attached wood blocks at the back of the kick plate for the #8, 2 1/4" screws as shown in **Figure 3B**. Anchor the kick plate into the floor with the #8, 2 1/4" screws.



INSTALLING THE SKIRT

1. Install a 2"x 2"x12" wood brace vertically on the walls or frames, 2 to 4 inches above the preset 2"x2" blocks located on the ends of the kick plate as indicated in **Figure 4**. Existing/preset wood blocks are also illustrated in **Figure 3B**.

2. Carefully position the skirt in place by first pushing the top edge of the skirt up between the clips and the bath rim, (See **Arrow 1**, **Figure 7**), then pulling it down into its final position along the upper edge of the kick plate. See **Arrow 2**, **Figure 7**.

3. Once the skirt is in place, and positioned equally and level with respect to the top and bottom edges, mark and:

- A. Drill four (1/8") pilot holes at equally spaced intervals along the bottom of the skirt. Drill through the skirt and previously secured kick plate. See **Figure 6A**.
- B. Drill two additional 1/8" holes centered on both ends of skirt. See **Figure 6B** to secure the skirt to the vertical side braces installed previously in step #1 above.
- C. Remove the skirt from the tub.
- D. Drill larger hole (3/16") through all six 1/8" pilot holes in skirt only.
- E. Carefully drill (3/16") hole through acrylic only in kick plate pilot holes. See **Figure 5**.

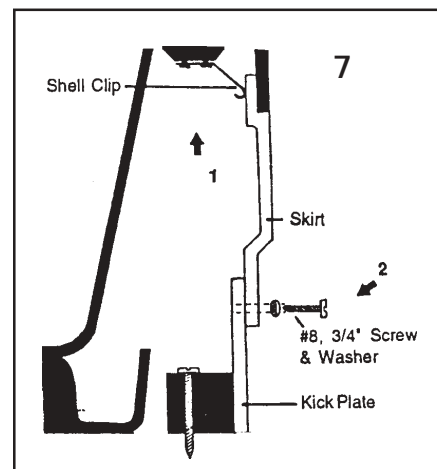
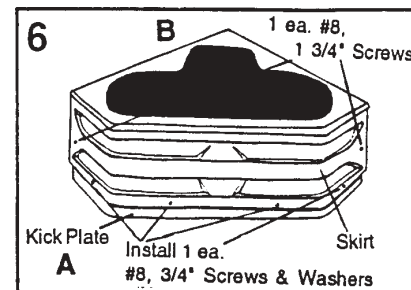
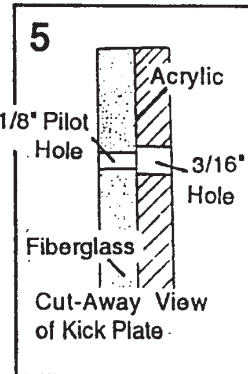
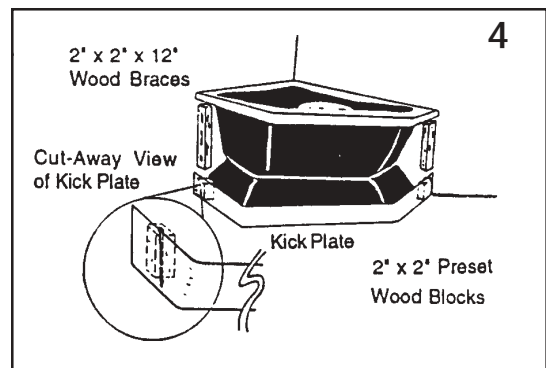
4. Some temporary shimming may be required to hold the skirt in place while completing installation. With skirt held in place, secure by installing the two #8, 1 3/4" screws in the two predrilled holes on either side of skirt. See **Figure 6B**.

5. Install the four #8, 3/4" screws and washers into the bottom of the skirt and through the kick plate as in **Figure 7**. This will secure the skirt to the kick plate.

REMOVING THE SKIRT

1. To remove the skirt, remove the screws on either side of the skirt. Remove the four screws and washers from the bottom of the skirt which secure the kick plate and skirt. Grasp the lower edge of the skirt and pull out and away from the tub.

2. Reinstall the skirt by positioning the skirt in place by first, pushing the upper edge of the skirt up between the clips and the bath rim then pulling it into its final position along the upper edge of the kick plate. Reinstall the screws along the skirt bottom to secure kick plate, and at either side of skirt.



Questions concerning the installation of these skirt units may be directed to the Aquatic Industries dealer in your area or by contacting the Aquatic Customer Service Department at 1-800-928-3707.